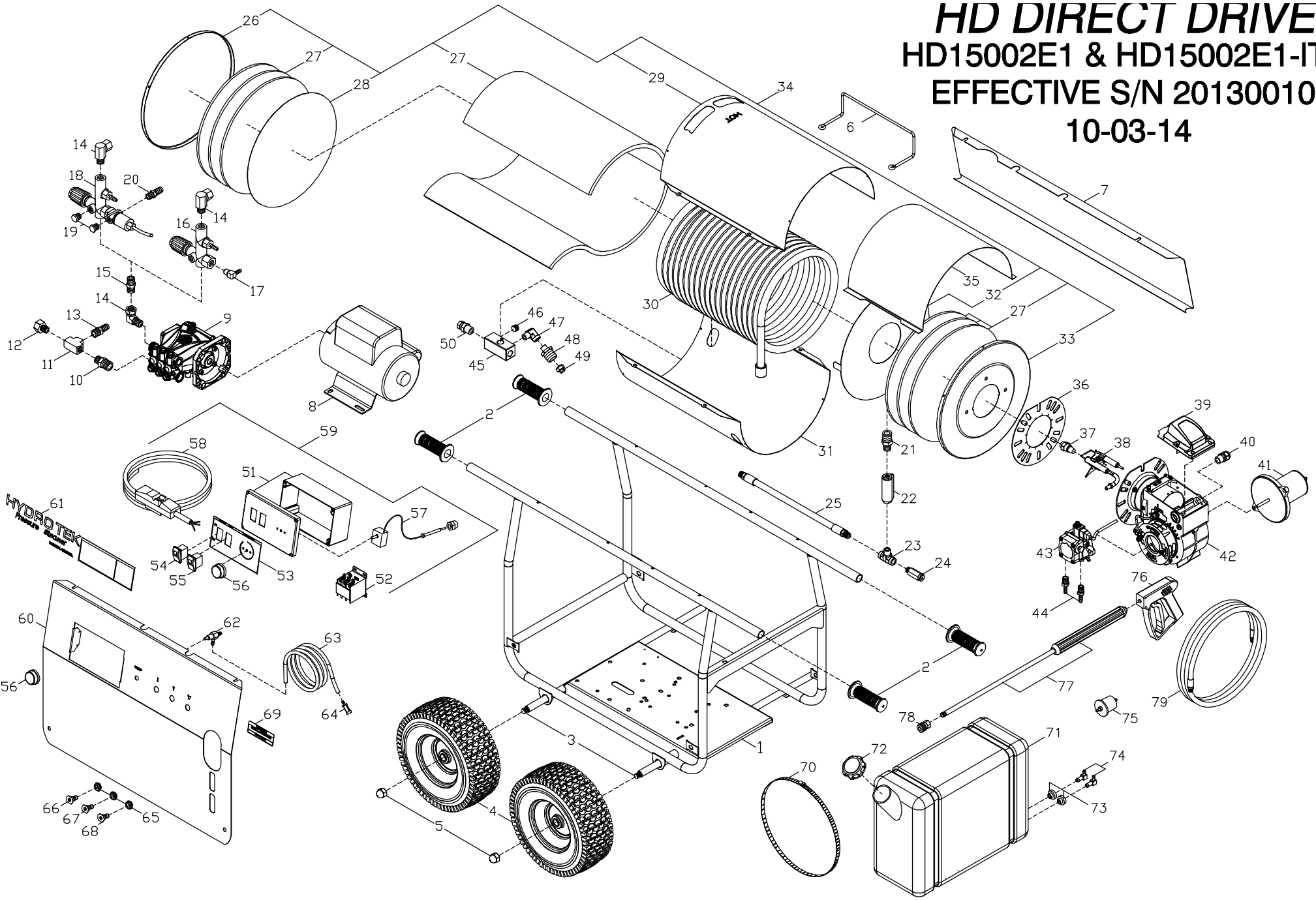


HD DIRECT DRIVE HD15002E1 & HD15002E1-IT EFFECTIVE S/N 201300102 10-03-14



HD15002E1 & HD15002E1-ITS PARTS LIST (DIRECT DRIVE) S/N201300102

3-Oct-14

1	HHD00	HD FRAME STAINLESS	30	BC144	COIL 4PK SINGLE PASS 13.00 OD NEW 2012 HT MFG	58	EP120	GFI PLUG/CORD 115V 20AMP
2	HL010	HAND GRIP 1in MX				59	EHG15	HD ELECTRICAL BOX ASSEMBLY
3	SR625	ROD, THREADED 5/8 ZINCE PLATED	31	B0314	COIL WRAP BOTTOM 1 PASS 2012 BC300	60	HHD30	HD CONTROL PANEL
4	HT127	WHEEL&TIRE TURF 13x5.00-6 3/4 BEARING GREY	32	BN305	DISC RETAINER 13.00 OD w/ 4.38 HOLE BURNER END			
5	FNA09	NUT ACORN 5/8-11	33	B0304	COIL HEAD 2012 BURNER END BC300	61	GLL75	LABEL HYDRO TEK 34 x 3.00
6	HHP29	WIRE HOSE HOOK-ZINC PLATED	34	BC300P	COIL ASM SINGLE PASS 4PK 2012 HD-SH	62	VVC10	CHEMICAL MET VALVE MV-100 MOD
7	HHD32	HD REAR HALF PANEL	35	HHD05	HD/SM BURNER RAIN GUARD	63	DHB04	TUBING; CLEAR BRADED; 1/4"
8	ME203	MOTOR 2 HP 120V 1 PHASE	36	BM035	BECKETT GASKET/UNIVERSAL	64	VF042	STRAINER CHEM (NO CHECK)
9	PH222	PUMP 2 @2200 5/8 ELECTRIC SHAFT	37	BZ101	FUEL NOZZLE 1.0 90 W	65	HLB09	GROMET NOZZLE HOLDER
10	D2086	NIPPLE 1/2 x 3/8 BRASS	38	BME10	BURNER ELECTRODE BECKETT- PAIR	66	NQ302	NOZZLE/QDC 03 x 15
			39	BMT15	IGNITION TRANSFORMER 115V BECKET	67	NQ970	NOZZLE/QDC 40 x 25
11	D6066	TEE 3/8 BRASS	40	EWC08	STRAIN RELIEF 1/2" HEYCO (3/8)	68	NQ253	NOZZLE/QDC 025 x 25
12	D006M	GARDEN HOSE ADAPTER 3/8 NPT MALE BRASS				69	GLL20	LABEL DIESEL FUEL ONLY
13	D8046	HOSE BARB 1/4"H x 3/8"P BRASS	41	BU605	BURNER, BECKET 115V	70	FC074	WORM GEAR CLAMP 2 1/2 x 13 1/4
14	DE866	SWIVEL 3/8"F x 3/8"M 90 BRAZED	42	BM556	BURNER MOTOR 115V BECKET			
15	DB506	NIPPLE 3/8" STEEL	43	BPA15	FUEL PUMP WITH FUEL VALVE	71	WT075	FUEL TANK 7.5 DIESEL CLEAR
16	UU263	UNLOADER/INJ, w/2.55mm 3600 8G (HD15002E1)	44	D8044	BARB; HOSE; 1/4" BRASS .312 t	72	WT080	FUEL CAP; DIESEL
17	D8040	HOSE BARB 1/4 90 ELBOW (HD15002E1)	45	HHA10	BLOCK 1.5 x 1.5 x 3.5 OUTLET	73	DFF04	FUEL TANK BUSHING 1/4"
18	UU264	UNLOADER ST-261 W/SWITCH (HD15002E1-ITS)	46	D1061	PLUG 3/8" FLUSH HEAD HEX STEEL	74	DFE04	FUEL TANK ELL 1/4"
19	D1040	PLUG 1/4 BRASS (HD15002E1-ITS)	47	DC568	STREET ELL 3/8 STEEL FORGED ON	75	BF015	FUEL FILTER; INLINE
20	D8044	HOSE BARB 1/4 (HD15002E1-ITS)	48	UPB05	ADAPTER FITTING-BURST DISC	76	VG200	TRIGGER GUN, INSULATED 4000psi
			49	UPB80	BURST DISC 8000psi TORQUE 32-4	77	VW036	WAND 1/4" x 36" MOLDED GRIP 580
21	DB507	NIPPLE 3/8" x 1/2" STEEL	50	DE568	SWIVEL 3/8"F x 1.2"M STEEL	78	DQ04S	COUPLER 1/4" SOCK FEMALE
22	VS005	FLOW SWITCH 8 @ 4200 ST5				79	DH050	HOSE 3/8" x 50' 3000psi 250F BL
23	DEB66	BRANCH TEE 3/8 STEEL	51	HHD52	ELECTRICAL BOX HD LASER CUT			
24	UP120	PRESSURE RELIEF 2000psi ORANGE	52	ECC12	CONTACTOR 40AMP 115V HG 2pole	SERVICE PARTS NOT SHOWN		
25	DH003	HOSE 3/8" x 18" 5000psi	53	GLL82	LABEL CONTROL HD 2MIL W/2 MI			
26	B0303	COIL CAP OUTLET 14.50 2012 BC300 OUTLET SIDE	54	EC411	ROCKER SWITCH 110V CLEAR SPST		AR2186	VALVE KIT (1) REQUIRED
27	BN053	INSUL BLKT 50SQ' 1/2 x 24 8#25'	55	EC410	ROCKER SWITCH 110V RED SPST		AR42474	PISTON OIL SEAL KIT (1) REQUIRED
28	BN327	INSUL DISC RETAINER 13.00 DIA 2012 BC300	56	ECH70	KNOB; BLUE .25id x 1.50od		AR42469	SEAL KIT (1) REQUIRED
29	B0313	COIL WRAP TOP 1 PASS SH-HD 2012 BC300	57	ECH50	THERMOSTAT; 60-250 1GP PART=25		AR42467	PISTON KIT (1) REQUIRED